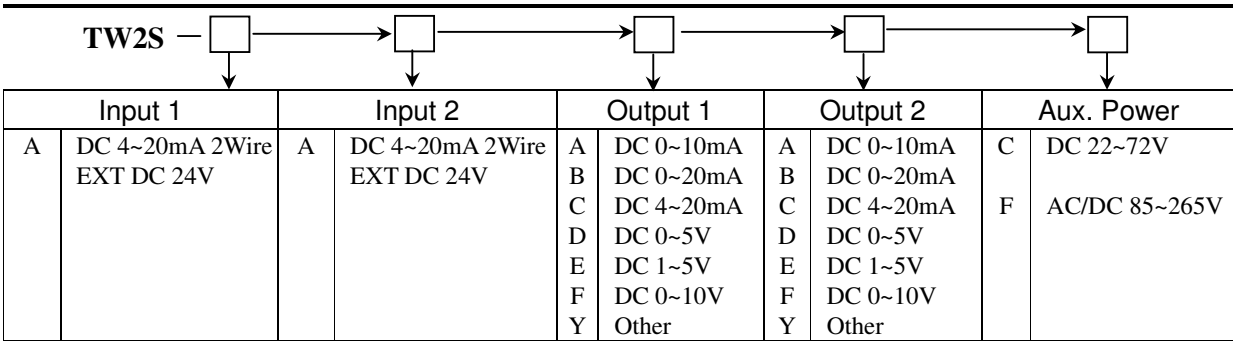
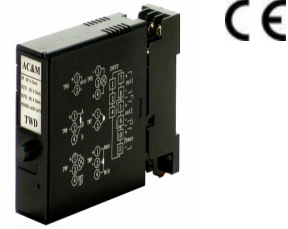


AC&M CURRENT LOOP SUPPLY ISOLATING TRANSMITTER

FEATURES :

- Aux.Power AC 85~265V or DC 85~300V
- High Accuracy 0.1%RO at 23°C ± 5°C
- 2 Input / 2 Output
- PC Plastic Case , DIN Rail or Wall Mounting
- High Dielectric Strength (AC 2KV/Min , between Input / Output / Power)



SPECIFICATIONS :

- Accuracy** : 0.1%RO at 23°C ± 5°C
- Input Impedance** : ≤ 50Ω
- Insulation Resistance** : ≥ 100MΩ / DC 500V
- Output Load** : DC Current Mode : > 500Ω in Output 20mA , DC Voltage Mode : 10mA Maximum
- Dielectric Strength** : AC 2000V / Min , between Input / Output / Power.
- Voltage Supply** : DC 22~28V (Without Load)
- Linearity & Repeatability** : ≤ 0.1% Typical.
- Stability** : ≤ 0.2% / Year.
- Adjust Range** : SPAN & ZERO ± 10%
- Response Time** : ≤ 400 mS
- Ripple** : ≤ 0.1% rms RO
- Temperature Coefficient** : ≤ 100ppm / °C From 0~60°C ; ≤ 50ppm / 25°C ± 5°C
- Operation Condition** : -5°C ~ +55°C 20~95% RH Non-Condensed.
- Storage Condition** : -10°C ~ +70°C 20~95% RH Non-Condensed.
- Power Fluctuation Rate** : Power Could Support AC / DC 85~265V or DC 24V ± 10%
- Aux.Power Effect** : ≤ 0.03% / V
- Housing Material** : Non-Combustible PC Products , Compliance With UL 94 CLASS V-0
- Mounting** : DIN Rail or Wall Mounting
- Dimension** : 27 W × 119 H × 70 L mm (Base)

SCHEMATIC CIRCUITRY & CONNECTION DIAGRAM :

