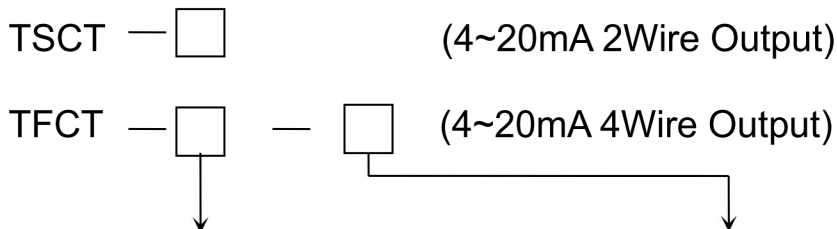


CT with analogue output

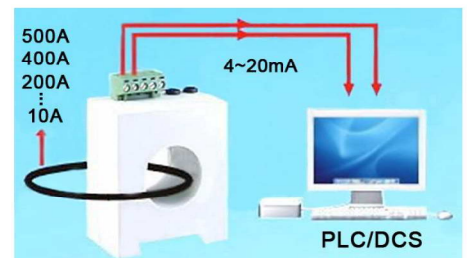
Features:

- ◆ Transform Input: AC 5~400A directly into DC 4~20mA, no need external CT.
- ◆ Suitable for application with high waveform distortion: (Frequency converter、Motor、SCR)
- ◆ High accuracy < 0.5%
- ◆ High response time
- ◆ High stability, easy connection.



Input Current				Aux. Power	
1	0~5A(2 Coils)	8	0~75A	A	AC 110V
2	0~10A	9	0~100A	B	AC220V
3	0~15A	A	0~150A	C	DC22~72V
4	0~20A	B	0~200A	F	AC/DC
5	0~30A	C	0~250A		85~265V
6	0~40A	D	0~300A		
7	0~50A	E	0~400A		

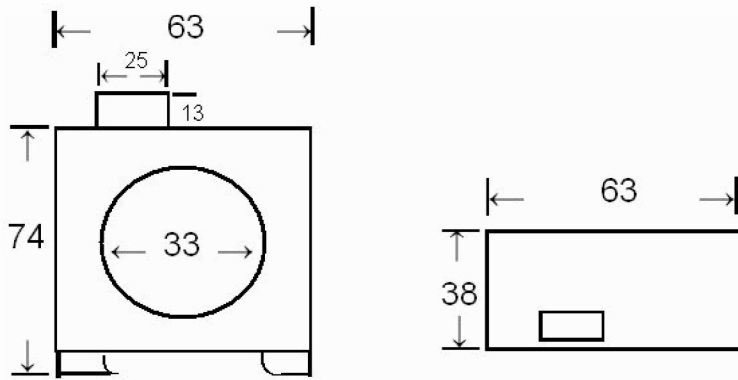
Illustration:



Specifications :

Output Signal :	TSCT : DC4~20mA 2Wire (Loop Power)	Temperature Coefficient :	≤0.01% FS/°C (100PPM)
	TFCT : DC 4~20mA 4Wire	Response Time :	≤250ms
Supply Voltage :	DC5~40V (2Wire System – TSCT)	Stability :	≤0.1%/Year
Accuracy :	±0.5% RO	Front Adjustments :	≥ ±5% (Zero and Span)
Input Frequency :	10~400Hz	Operating Condition :	-10°C ~ +55°C 20~95% RH Non-Condensed
Input Impedance :	760Ω (Supply DC 24V)	Storage Condition :	-40°C ~ +75°C 20~95% RH Non-Condensed
Isolation :	2.6KV/Min (Input / Output / Case)	Mounting :	DIN Rail
Impulse :	5KV (Insulated Cable)	Outline Dimension :	38*63*74*33mm (L*W*H*Φ)
Temp. Coefficient:	≤0.01% FS/°C (100PPM)	Case Material :	ABS Plastic, Self-Extinguishing.
Insulation	≥100Ω/Min with DC 500V		Comply to UL 94 Class V-O
Resistance:			

Dimension: mm



Wire Connection:

TSCT : 2Wire Loop Power

TFCT : 4 Wire

