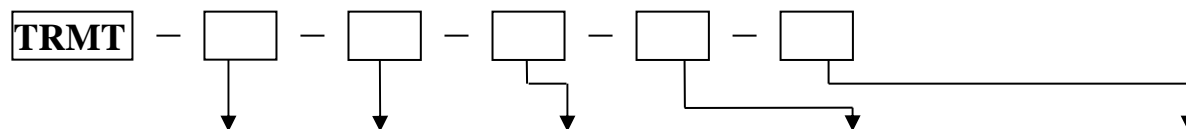


FEATURES

- Complied to DIN-IEC 688
- Measurement: 3V、3A、W、Q、WH、QH、PF、HZ
- High Dielectric Strength:
AC 2 KV / Min, Input / Output / Power / Case
- Dual RS-485 Modbus RTU
- High brightness 4-digit LED display
- ABS Plastic Case, DIN Rail or Wall Mounting.



FUNCTION SELECT

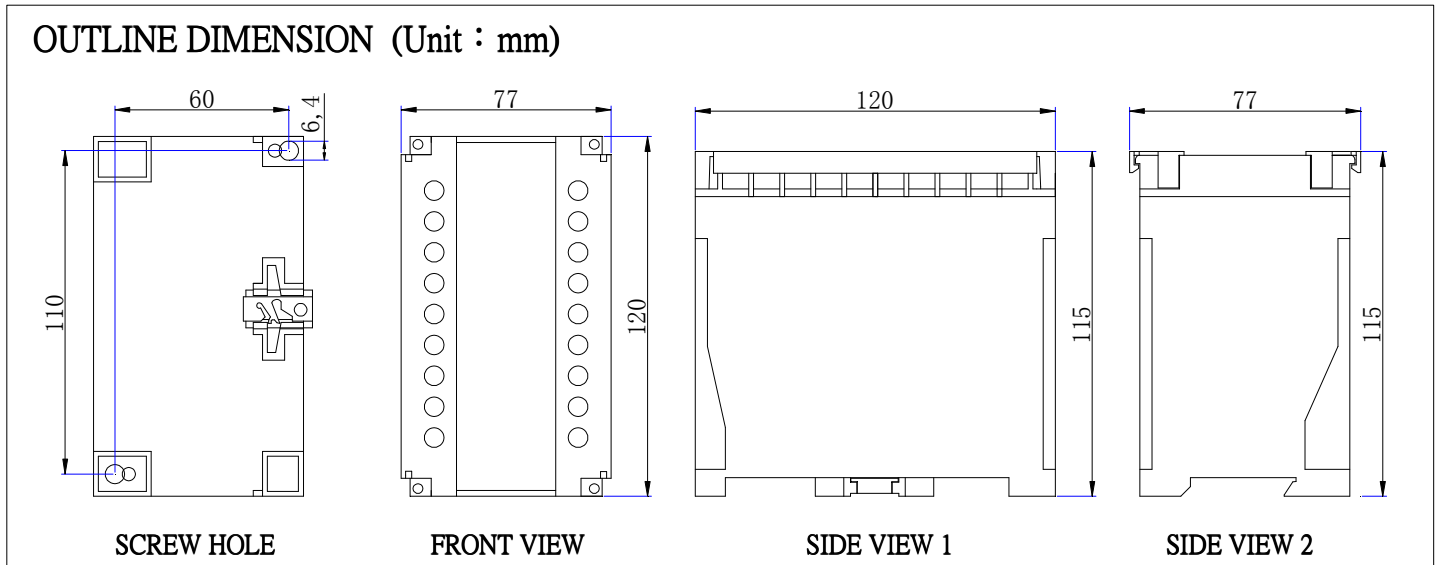


Input Voltage		Input Current		Frequency		Output Function		Aux.Power	
A	55-440V(L-L)	A	1A	A	50	A	RS 485 (Modbus RTU)	A	AC110
C	55-600V(L-L)	B	5A	B	60	B	Dual RS 485 (Modbus RTU)	B	AC220
						C	2 Pulse	C	DC 22~72V
						D	4~20mA + RS485	F	AC/DC 85~265V
Y	Special	Y	Special	Y	Special	Y	Special	Y	Special

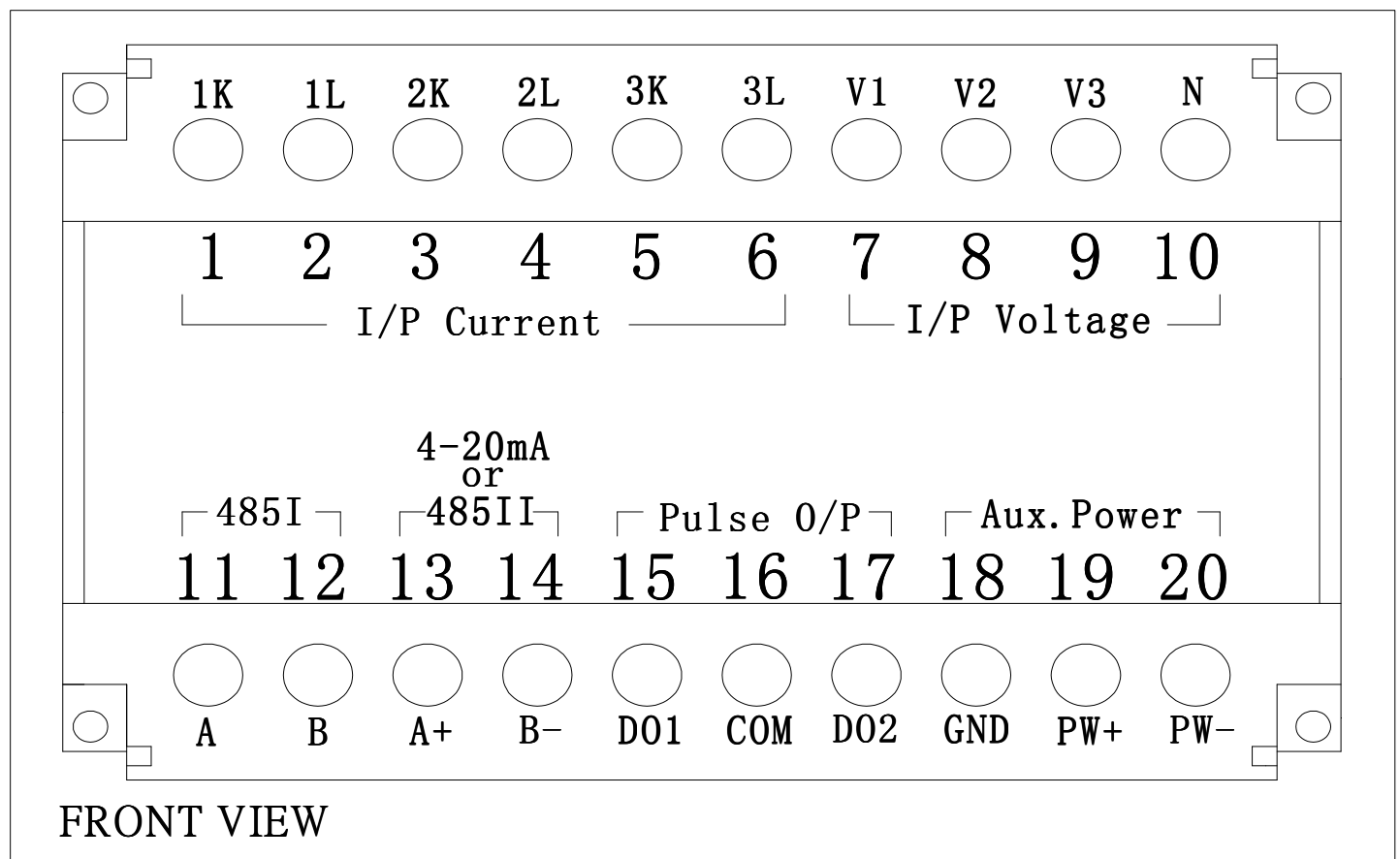
SPECIFICATIONS

Accuracy	: V,A=±0.2%FS HZ=±0.02HZ	Analog output	: 2 sets analog outputs
	: W,VAR,WH,VARH,PF=±0.5%FS at 23°C		: > 500Ω at 20mA
Display	: 0.36"High Brightness Red LED		: Correspond to:3A.3V.W.Q.PF.HZ...
Measurement	: True RMS	Dielectric strength	: 2.0 KV AC / Min,
Sampling	: 128 / cycle		: (between Input / Output / Power / Case)
Response time	: ≤ 1 second	Insulation resistance	: ≥ 100M ohm , DC 500V
Input voltage	: AC 55 ~ 440V(L-L) (Max. 480V L-L)	Impulse	: 5KV 1.2X50 uS, ANSI c37.90a/1983.DIN
	: AC 55 ~ 600V(L-L) (Max. 700V L-L)		: IEC 255 - 4, IEC 688-1992
Input current	: AC 5A (2mA~6A)	Common mode rejection	: ≥ 120db, 50 / 60Hz
	: AC 1A (2mA~1.2A)	Stability	: ≤ 0.2% year
Input burden	: Voltage <0.25VA ,Current <0.2VA	Aux. power effect	: ≤ 0.01% / V.
Input frequency	: 45~70 HZ	Power variation rate	: AC 85 ~ 265V 50 / 60Hz DC 100~300V
Digital output	: RS 485 Modbus RTU		: DC24V (22~72V)
Baud rate	: 2400、4800、9600、19200、38400、57600	Consumed power	: < 2W
	: 8 bit	Operating condition	: -20°C ~+65°C 20~90% RH Non-Condensed
Parity check	: None、Even、Odd	Storage condition	: -40°C ~+75°C 20~90% RH Non-Condensed
Data byte	: 8 bit		: EN 61000-3-2 . EN 61000-3-3 .EN 61326-1
Address	: 1~255	Housing material	: Non-Combustible ABS Plastic,
Stop bit	: 1 or 2		: Compliance with UL 94 CLASS V - O.
Pulse output	: 2 pulse output (WH / VARH)	Mounting	: DIN Rail or Wall Mounting
	: Open Collector	Dimension	: 120W X 115H X 73.4Lmm.
	:		

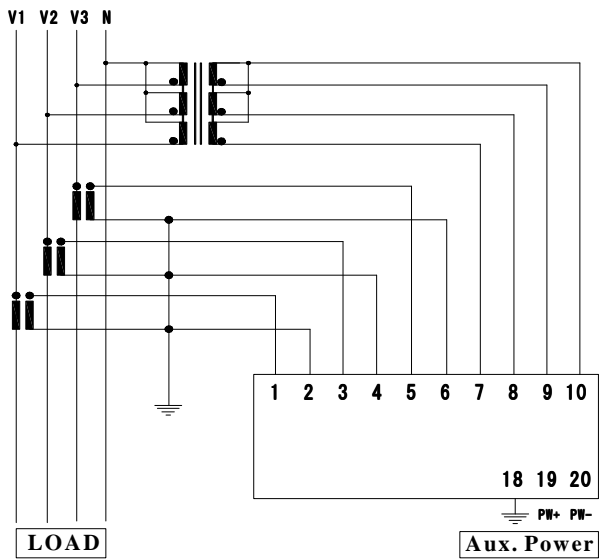
OUTLINE



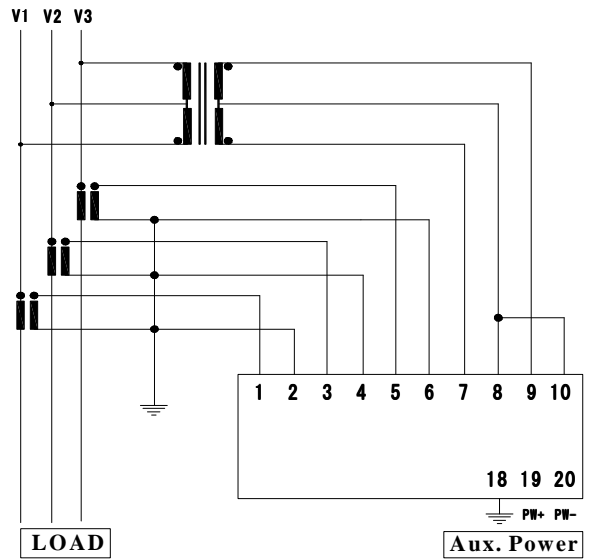
TERMINALS



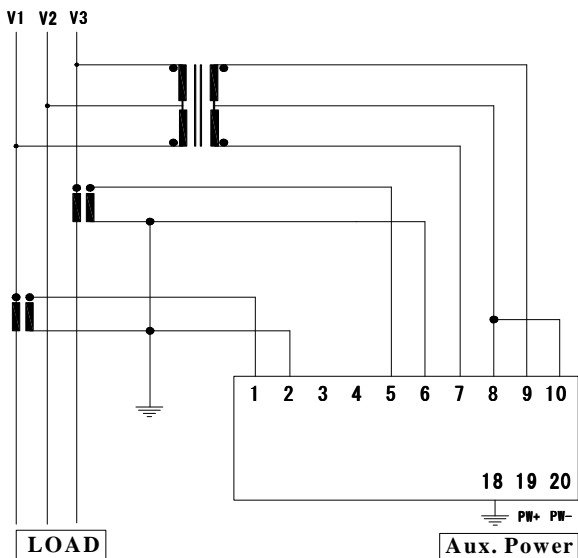
3Phase 4Wier (3PT/3CT)



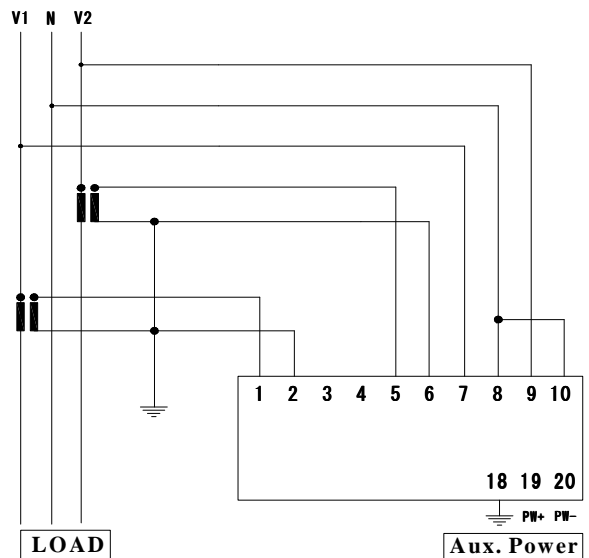
3Phase 3Wier (2PT/3CT)



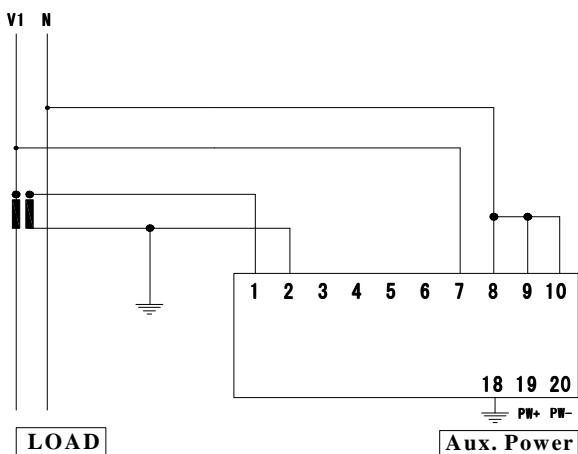
3Phase 3Wier (2PT/2CT)



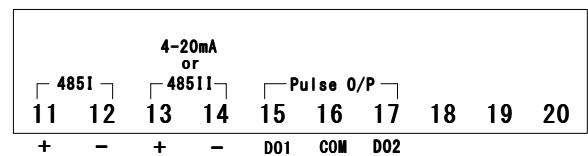
1Phase 3Wier



1Phase 2Wier



Output terminal



註：接線方式須配合電表模式切換使用