

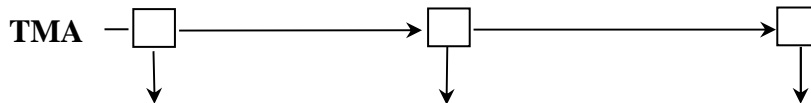
AC&M TMA-DC Current Isolating Transmitter

FEATURES

- Wide range Aux.power AC 85~265V or DC 85~300V
- Accuracy $\pm 0.5\%$ RO at $23^{\circ}\text{C} \pm 5^{\circ}\text{C}$
- Built-in shunt
- ABS Plastic Case, DIN Rail or Wall Mounting
- High Dielectric Strength AC 2KV/Min (Input / Output / Power)



CE

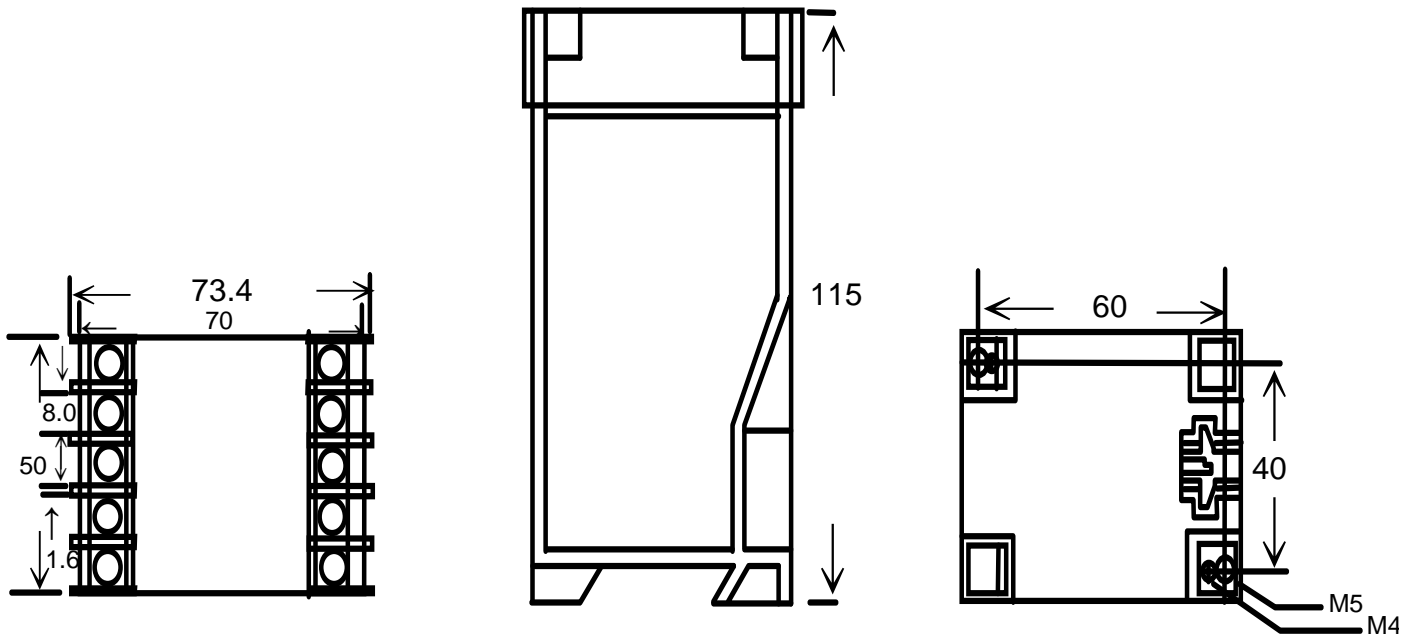


Input Signal		Output Signal		Aux.Power	
A	DC 0~50mV	B	DC 0~20mA	A	AC 110 / 220V
B	DC 0~60mV	C	DC 4~20mA	C	DC 24V
C	DC 0~1A	D	DC 0~5V	F	AC/DC 85~265V
D	DC 0~5A	F	DC 0~10V		
F	DC 0~10A				
Y	Other	Y	Other		

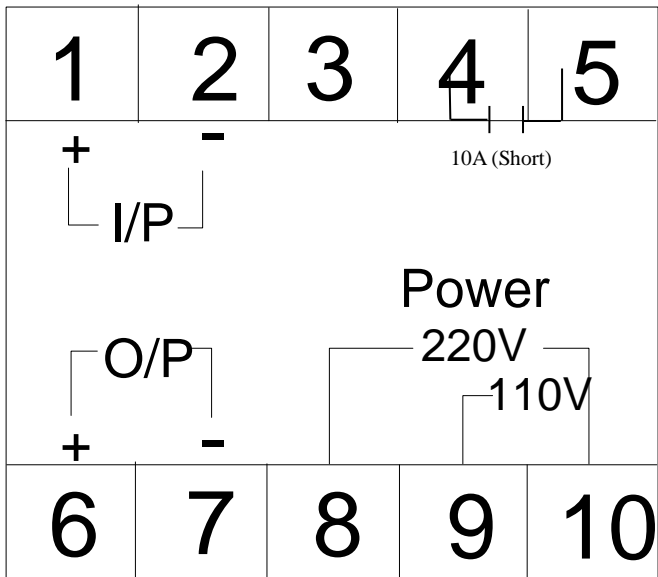
SPECIFICATION

Accuracy	: $\pm 0.5\%$ RO at $23^{\circ}\text{C} \pm 5^{\circ}\text{C}$
Output Load	: DC Current Mode : 10V DC Maximum, DC Voltage Mode : 10mA DC Maximum.
Output Protection	: Without Damage for Output Open or Short Circuit.
Dielectric Strength	: 2.0KV AC / 1 Min, between Input / Power / Case.
Common Mode Rejection	: > 120db, 50 / 60Hz.
Stability	: < 0.2%/Year.
Calibration	: SPAN and ZERO $\pm 10\%$.
Response Time	: $\leq 400\text{mS}$.
Temperature Coefficient	: $\leq 100\text{ppm} / ^{\circ}\text{C}$ From $0 \sim 60^{\circ}\text{C}$; $\leq 50\text{ppm}/23^{\circ}\text{C} \pm 3^{\circ}\text{C}$.
Operating Condition	: $-15^{\circ}\text{C} \sim +55^{\circ}\text{C}$ 20 ~ 95% RH Non-Condensed.
Storage Condition	: $-10^{\circ}\text{C} \sim +70^{\circ}\text{C}$ 20 ~ 95% RH Non-Condensed.
Power Supply	: AC/DC85~265V, DC24V
Housing Material	: ABS Plastic, Self-Extinguishing to UL Subject 94 Class V-O.
Mounting	: DIN Rail or Wall Mounting.
Size	: $50^{\text{W}} \times 115^{\text{H}} \times 73.4^{\text{L}}$ mm

DIMENSION (mm)



CONNECTION DIAGRAM



For DC Power , 9+ ; 10-