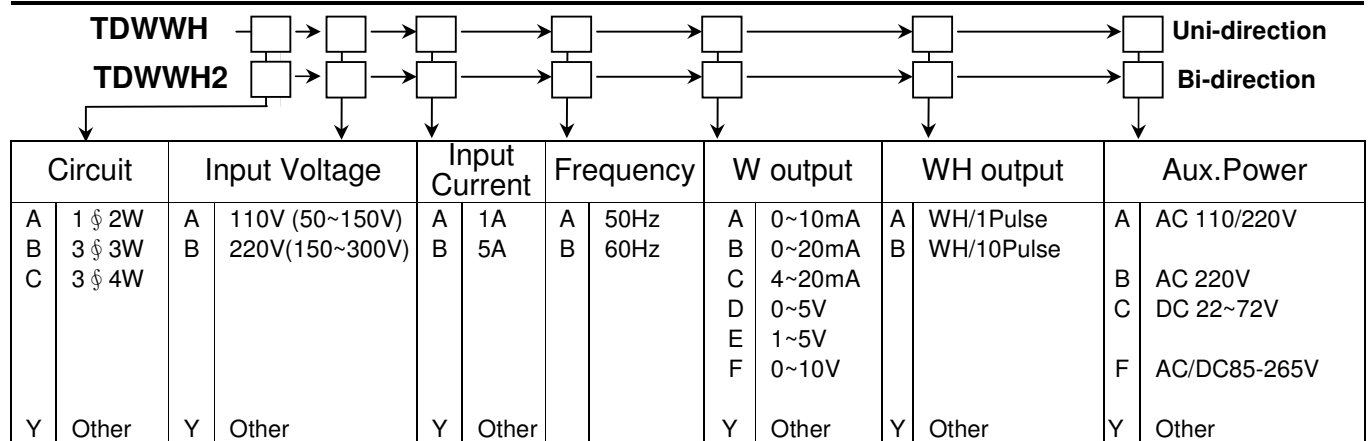


# AC&M Watt/Watthour Transducer

## Features :

- Dual Aux. Power 110/220V AC
- High Dielectric Strength  
2.6KV AC / Min, between Input / Output / Power / Case
- ABS Plastic Case, DIN Rail or Wall Mounting



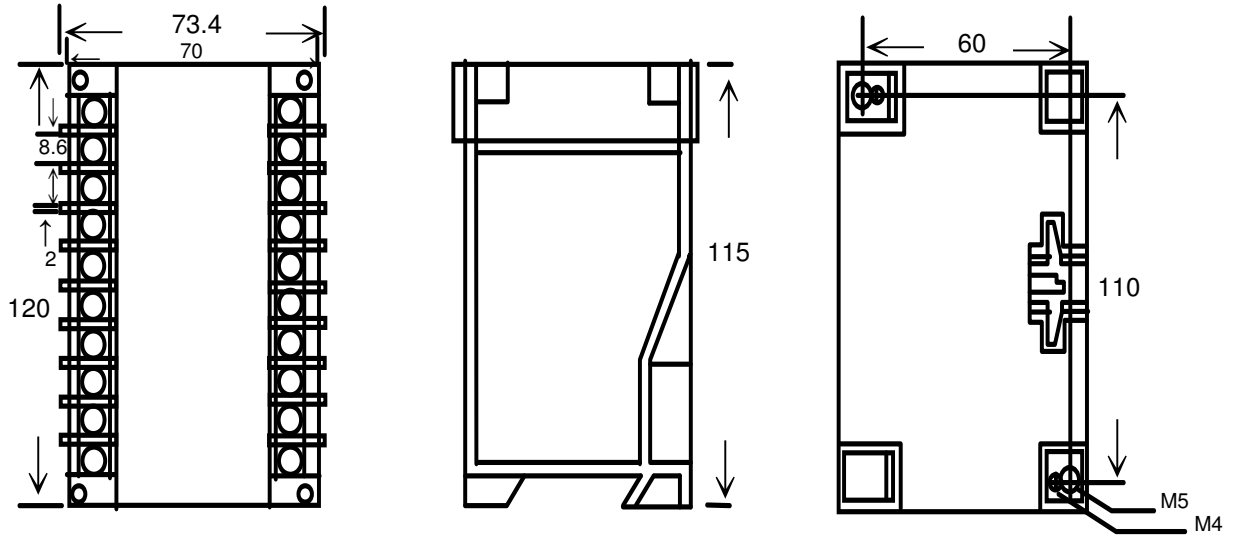
## SPECIFICATIONS

Accuracy	: 0.2%RO at 23°C±5°C (Self-Power Mode 0.5%RO at 23°C±5°C).
Input Range	: Normal Voltage 110V, Effective Range 85~150V. Normal Voltage 220v, Effective Range 160~300V. Normal Current 5A, Effective Range 0~7.5A. Normal Current 1A, Effective Range 0~1.5A.
Input Burden	: 0.1VA / 60Hz at 150V AC ; Self-Power Mode 2VA at 150V AC.
Frequency	: 45 ~ 70Hz.
Input Over	: Normal AC 110V, Voltage Over 500V Continuous. Self-Power Mode 150V AC Maximum. Normal AC 5A, Current Over 15A Continuous; 50A 10 Sec / Hour ; 400A 0.5 Sec / Hour.
Output of WH & VarH	: Open Collect Type, Effective Range 5~30V DC, 5~100mA.
Output Protection	: Without Damage for Output Open or Short Circuit.
Dielectric Strength	: 2.6KV AC / Min between Input / Output / Power / Case.
Impulse	: 5KV AC 1.2X50us, ANSI C37.90a / 1983.DIN IEC 255 - 4, IEC 688-1992.
Common Mode Rejection	: ≥ 120bd, 50 / 60Hz.
Stability	: ≤ 0.2%/Year.
Calibration	: SPAN and ZERO±10%.
Response Time & Ripple	: ≤ 400mS, 0 ~ 99% & 0.5% rms Max.
Magnetic Effect	: DIN - IEE688 ≤ 0.005% Change 10" Center 100A-Turn.
Temperature Coefficient	: ≤ 100ppm / °C From 0~60°C ; ≤ 50ppm/23°C±3°C.
Operating Condition	: -10°C ~ +65°C 20 ~ 95% RH Non-Condensed.
Storage Condition	: -40°C ~ +75°C 20 ~ 95% RH Non-Condensed.
Power Supply	: AC or DC ± 20%, 50 / 60Hz ≤ 3VA.
Aux. Power Effect	: ≤ 0.01% / V.
Housing material	: ABS Plastic, Self-Extinguishing to UL Subject 94 Class V-O.
Mounting	: DIN Rail or Wall Mounting.
Size	: 120 <sup>W</sup> X 115 <sup>H</sup> X 73.4 <sup>L</sup> mm

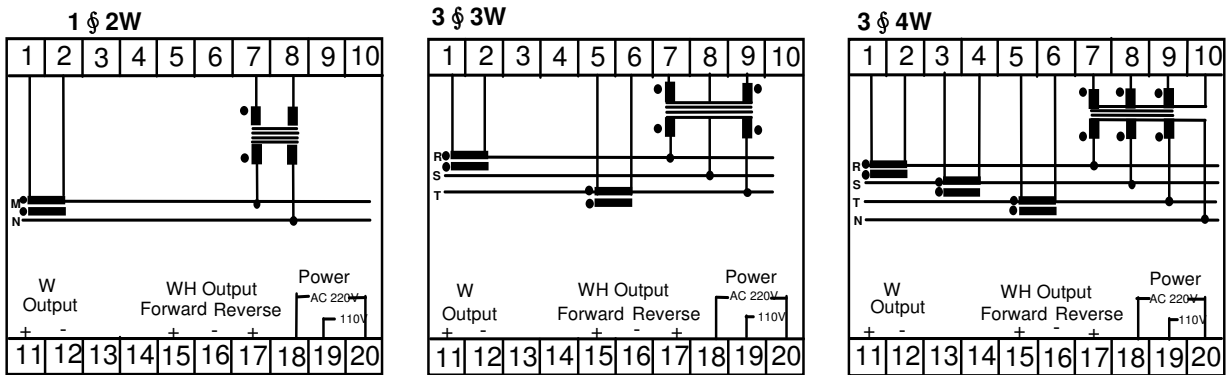
\* Uni-Direction and Bi-Direction for Watt/Watthour, Bi-Direction for Var/Varhour only.

\* Self-Power Mode : Effective Range 85~150V AC, Power Source from V1 Voltage.

Dimension (mm)



Connection Diagram Mode; :TDWWH,TDWWH2



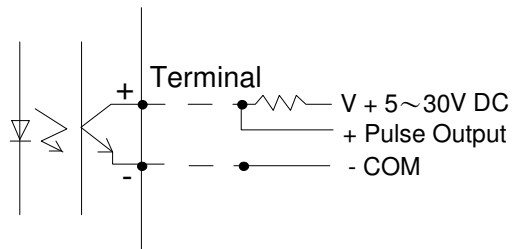
工作電源為 DC Power 時 ,19 + ; 20 -

For DC Power ,19+; 20-

標準對應值STANDARD OUTPUT CALIBRATION

對 應 信 號	相 序 值	1 φ 2W	3 φ 3W	3 φ 4W
		W	W	W
100V	1A	100	200	300
	5A	500	1000	1500
200V	1A	200	400	600
	5A	1000	2000	3000
380V	1A	400	800	1200
	5A	2000	4000	6000

光耦合 ( Photocouple ) 原理圖



\*V:Line to neutral