

AC&M AC 3 Phase Voltage Transducer

Features:

- Dual Aux. Power 110/220V AC
- High Accuracy
0.2% RO at 23°C±5°C
- High Dielectric Strength
2.6KV AC / Min, Between Input / Output / Power Case
- ABS Plastic Case, DIN Rail or Wall Mounting

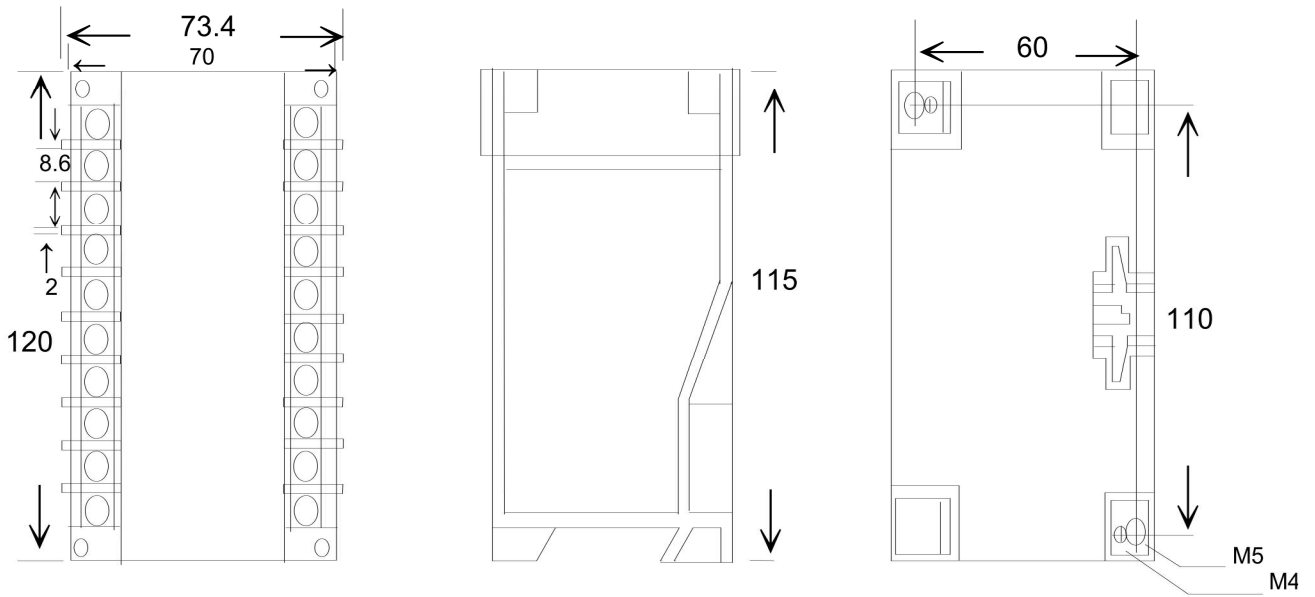


Input Voltage		Output Signal		Aux. Power	
A	AC 0~150V	A	DC 0~10mA	A	AC 110/220V
B	AC 0~300V	B	DC 0~20mA	B	AC 220V
C	AC 0~600V	C	DC 4~20mA	C	DC 22~72V
		D	DC 0~5V	F	AC/DC 85~265V
		E	DC 1~5V	N	Self-Power Mode
		F	DC 0~10V	Y	Other
Y	Other	Y	Other		

SPECIFICATIONS

Accuracy	: 0.2%RO at 23°C±5°C (Self-Power Mode 0.25%RO at 23°C±5°C).
Input Range	: Normal Voltage 110V Effective 50 ~ 150V.
Input Burden	: 0.1VA / 60Hz at 150V AC ; Self-Power Mode 2VA at 150V AC.
Input Over	: Normal AC 110V, Voltage Over 500V Continuous. : Self-Power Mode 150V AC Maximum.
Output Load	: DC Current Mode : 10V DC Maximum, DC Voltage Mode : 10mA DC Maximum.
Output Protection	: Without Damage for Output Open or Short Circuit.
Dielectric Strength	: 2.6KV AC / 1 Min, between Input / Power / Case.
Impulse	: 5KV 1.2X50 uS, ANSI C37.90a/1983.DIN, IEC 255 - 4, IEC 688-1992 2.5KV - 0.25mS/1MHz IEC 801-3(Ring WAVE).
Common Mode Rejection	: > 120db, 50 / 60Hz.
Stability	: < 0.2%/Year.
Calibration	: SPAN and ZERO ±10%.
Response Time & Ripple(p-p)	: ≤ 400mS. 0 ~ 99%; 0.5% P-P(STD) or Option.
Magnetic Effect	: DIN - IEE688 ≤ 0.005% Change 10" Center 100A-Turn.
Temperature Coefficient	: ≤ 100ppm / °C From 0~60°C; ≤ 50ppm/23°C±3°C.
Operating Condition	: -10°C ~ +65°C 20 ~ 95% RH Non-Condensed.
Storage Condition	: -40°C ~ +75°C 20 ~ 95% RH Non-Condensed.
Power Supply	: AC or DC ±20%, 50 / 60Hz 1 § 3VA/AC ; 3 § 3VA/AC.
Aux. Power Effect	: < 0.01% / V.
Housing Material	: ABS Plastic, Self-Extinguishing to UL Subject 94 Class V-O. Case IP 50 Snap Mounting On DIN EN 50022-35 Or Surface Mounting. Compliance With IEC 529, BS 5490, DIN 40054. Protection Touch-Proof Terminals And Enclosure Meeting Requirements Of VBG 4 & VDE 0106 oart 100(Germany).
Mounting	: DIN Rail or Wall Mounting.
Size	: 1 § 50 ^W X 115 ^H X 73.4 ^L mm ; 3 § 120 ^W X 115 ^H X 73.4 ^L mm
* Self-Power Mode	: Effective Range 85~150V, Power Source From V, Voltage.

Dimension (mm)



Connection Diagram Model :TDV3,TDVR3

1	2	3	4	5	6	7	8	9	10
A I/P			B I/P			C I/P			
O/P A		O/P B		O/P C		Power 220V 110V			
11	12	13	14	15	16	17	18	19	20

工作電源為 DC Power 時 , 19 + ; 20 -

For DC Power ,19+; 20-