

AC&M Var/Varhour Transducer

Features :

- Dual Aux. Power 110/220V AC
- High Dielectric Strength
2.6KV AC / Min, between Input / Output / Power / Case
- ABS Plastic Case, DIN Rail or Wall Mounting



TDQQH2 - [] → [] → [] → [] → [] → [] → []

Circuit		Input Voltage		Input Current		Frequency		Var output		VarH output		Aux. Power	
A	1 § 2W	A	110V (50~150V)	A	1A	A	50Hz	A	0~10mA	A	VarH/1Pulse	A	AC 110/220V
B	3 § 3W	B	220V(150~300V)	B	5A	B	60Hz	B	0~20mA	B	VarH/10Pulse	B	AC 220V
C	3 § 4W							C	4~20mA			C	DC 22~72V
								D	0~5V				
								E	1~5V			F	AC/DC85-265V
								F	0~10V			N	Self-Power Mode
Y	Other	Y	Other	Y	Other			Y	Other	Y	Other	Y	Other

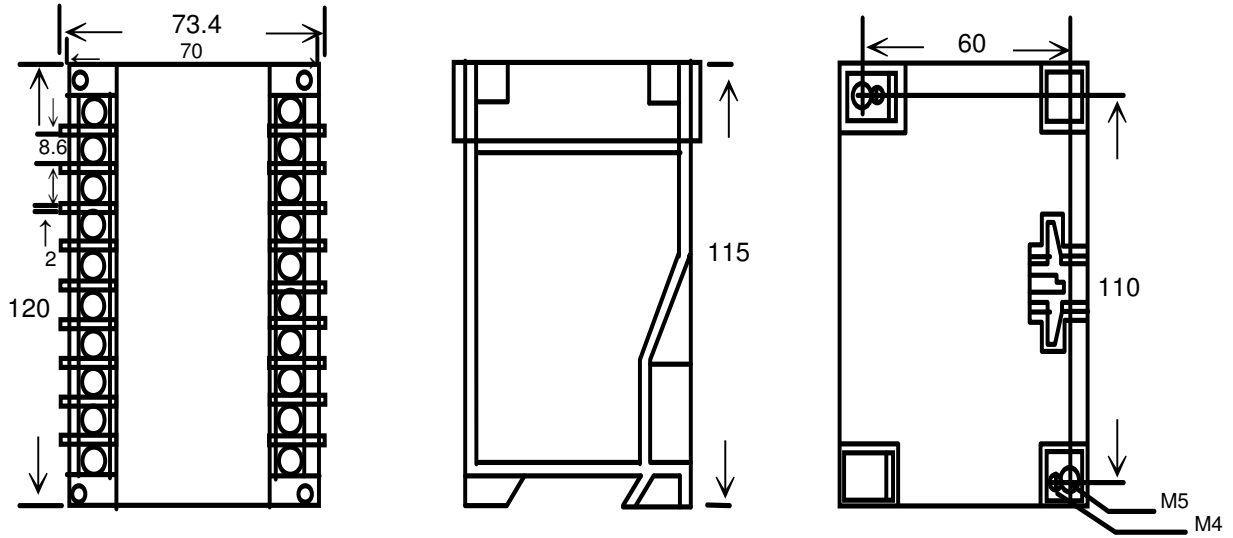
SPECIFICATIONS

Accuracy	: 0.2%RO at 23°C±5°C (Self-Power Mode 0.5%RO at 23°C±5°C).
Input Range	: Normal Voltage 110V, Effective Range 85~150V. Normal Voltage 220v, Effective Range 160~300V. Normal Current 5A, Effective Range 0~7.5A. Normal Current 1A, Effective Range 0~1.5A.
Input Burden	: 0.1VA / 60Hz at 150V AC ; Self-Power Mode 2VA at 150V AC.
Frequency	: 45 ~ 70Hz.
Input Over	: Normal AC 110V, Voltage Over 500V Continuous. Self-Power Mode 150V AC Maximum. Normal AC 5A, Current Over 15A Continuous; 50A 10 Sec / Hour ; 400A 0.5 Sec / Hour.
Output of WH & VarH	: Open Collect Type, Effective Range 5~30V DC, 5~100mA.
Output Protection	: Without Damage for Output Open or Short Circuit.
Dielectric Strength	: 2.6KV AC / Min between Input / Output / Power / Case.
Impulse	: 5KV AC 1.2X50us, ANSI C37.90a / 1983.DIN IEC 255 - 4, IEC 688-1992.
Common Mode Rejection	: ≥ 120bd, 50 / 60Hz.
Stability	: ≤ 0.2%/Year.
Calibration	: SPAN and ZERO±10%.
Response Time & Ripple	: ≤ 400mS, 0 ~ 99% & 0.5% rms Max.
Magnetic Effect	: DIN - IEE688 ≤ 0.005% Change 10" Center 100A-Turn.
Temperature Coefficient	: ≤ 100ppm / °C From 0~60°C; ≤ 50ppm/23°C±3°C.
Operating Condition	: -10°C ~ +65°C 20 ~ 95% RH Non-Condensed.
Storage Condition	: -40°C ~ +75°C 20 ~ 95% RH Non-Condensed.
Power Supply	: AC or DC ± 20%, 50 / 60Hz ≤ 3VA.
Aux. Power Effect	: ≤ 0.01% / V.
Housing material	: ABS Plastic, Self-Extinguishing to UL Subject 94 Class V-O.
Mounting	: DIN Rail or Wall Mounting.
Size	: 120 ^W X 115 ^H X 73.4 ^L mm

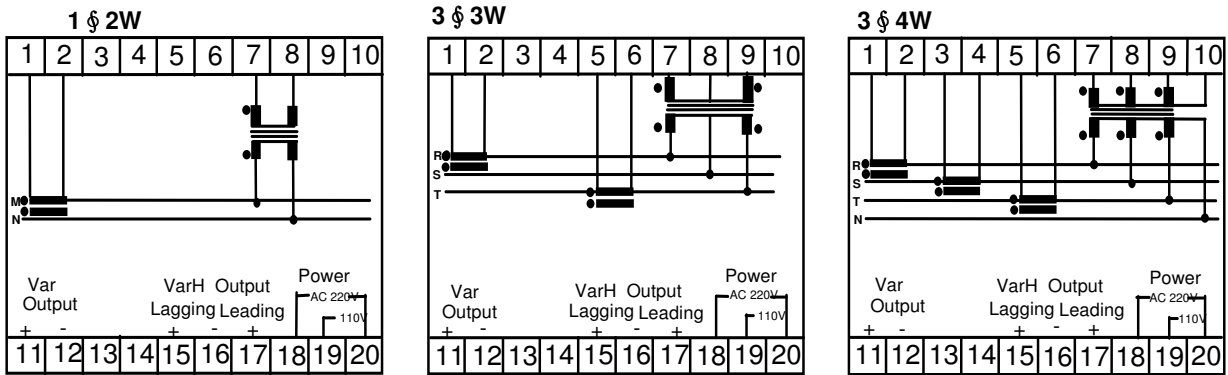
* Uni-Direction and Bi-Direction for Watt/Watthour, Bi-Direction for Var/Varhour only.

* Self-Power Mode : Effective Range 85~150V AC, Power Source from V1 Voltage.

Dimension (mm)



Connection Diagram Model : TDQQH2



工作電源為 DC Power 時 ,19 + ; 20 -

For DC Power ,19+; 20-

標準對應值 STANDARD OUTPUT CALIBRATION

對 應 信號	相 序 值	1 φ 2W	3 φ 3W	3 φ 4W
		VAR	VAR	VAR
100V	1A	100	200	300
120V	5A	500	1000	1500
200V	1A	200	400	600
240V	5A	1000	2000	3000
380V	1A	400	800	1200
440V	5A	2000	4000	6000

*V:Line to neutral

光耦合 (Photocouple) 原理圖

