

FEATURES

- System supported: 1 ϕ 2W / 1 ϕ 3W / 3 ϕ 3W / 3 ϕ 4W
- Small size: 96 W x 48 H x 90 D (mm)
- Measurement: 3V , 3A , W , VAR , WH , VarH , PF , HZ
- Password-protection against unauthorized setting
- High brightness red LED for display number
Green alpha LED for display unit
- 7 digits display for WH and VarH (9999999 Count)
- 2 Pulse outputs (Optional)
- 2 Alarm outputs (Optional)
- 3 DI input function (Optional)
- Other size(mm): 96x96 / 144x144 / 284x186 (12 screens)



FUNCTION

FUNCTION	PARAMETER	STANDARD/OPTIONAL FUNCTION
PHASE V	V1 、 V2 、 V3	Standard
LINE V	V12 、 V23 、 V31	
CURRENT	A1 、 A2 、 A3	
VA	Σ VA	
WATT	W1 、 W2 、 W3 、 Σ W	
VAR	Σ Var	
POWER FACTOR	Σ PF	
FREQUENCY	Frequency (HZ)	
WATTHOUR	WH (Bi-directional ; RECEIVE / SEND)	
VARHOUR	VarH (Bi-directional ; LAG / LEAD)	
COMMUNICATION PORT	RS 485 MODBUS RTU	Optional
PULSE OUTPUT	2 PULSE OUTPUT (\pm WH , \pm VarH)	Optional
RELAY ALARM	RY1 、 RY2 (Set up to 10 signals)	Optional
DIGITAL INPUT	3 DI input function (No need external voltage)	Optional

FUNCTION SELECT

PM48 - CODE1 - CODE2 - CODE3 - CODE4 - CODE5 - CODE6



	INPUT VOLTAGE		INPUT CURRENT		OUTPUT 1		OUTPUT 2		DIGITAL INPUT		AUX. POWER	
PM48	1	55-440V(L-L)	1	1A	1	RS-485(MODBUS-RTU)	1	2 Pulse	1	3 DI	3	DC 22~72V
			2	5A			2	2 Alarm Setting			6	AC/DC85~265V
					0	None	0	None	0	None		
	Y	Other	Y	Other	Y	Other	Y	Other	Y	Other	Y	Other

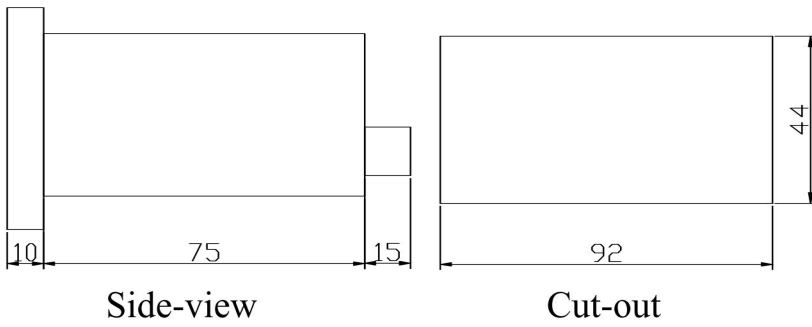
ACCURACY

SIGNAL	ACCURACY	RANGE	UNIT	SIGNAL	ACCURACY	RANGE	UNIT
V	0.2%FS	0-9999	V/KV	Var	0.5%FS	0-9999	KVar / MVar
A	0.2%FS	0-9999	A	VarH	0.5%FS	9999999	KVarH / MVarH
W	0.5%FS	0-9999	KW / MW	PF	0.5%FS	±0.500	PF
WH	0.5%FS	9999999	KWH / MWH	HZ	0.02 HZ	45~70	HZ

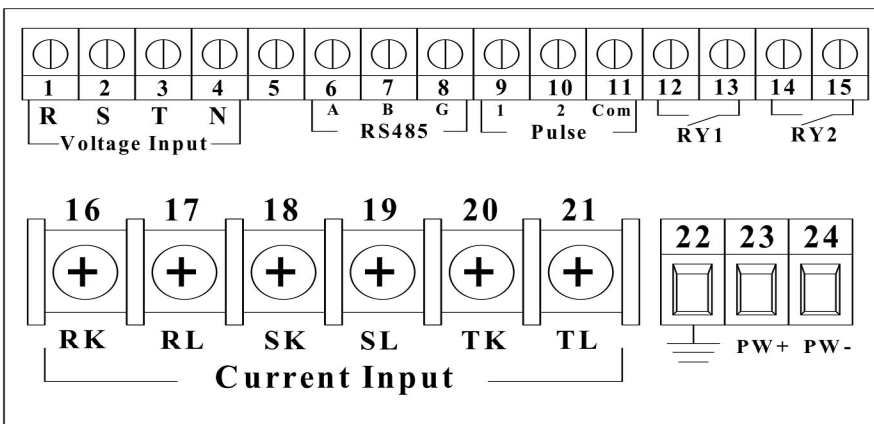
SPECIFICATIONS

Display	: High brightness red LED for display number. Green alpha LED for display unit	Relay alarm	: 2 Relay alarm. (Normal open) Set alarm for: 3A,3V,W,Q,WH,QH,PF,HZ...
Measurement	: TRMS	SPDT	: 5A/ 250V AC / 30V DC
Sampling Speed	: 128 sections/sec	Pulse output	: 2 Pulse Output (+WH / -WH / +VarH / -VarH) 1WH=1/10/100/0.1/0.01pulse
Response time	: ≤1 sec.	Digital input	: 3 digital input (no need external voltage)
Voltage range	: AC55~440V(L-L) Max. 480V	Dielectric Strength	: 2KV AC , between Input / Power / Case
Current range	: 5A Current, Effective Range AC 0~6A 1A Current, Effective Range 0~1.5A.	Power supply	: AC 85~265V 50/60H; DC 100~300V
Input burden	: Voltage 0.25VA; Current 0.2VA at 50/60HZ	Outline dimension	: 96W x 48H x 100D (mm)
Input frequency	: 45~70 HZ	Cut-out	: 92W x 44H (mm)
Input over current	: Normal AC 5A, Over Current 15A Continuous : 50A 10 Sec/Hr;250A 1 Sec/Hr;400A 0.5 Sec/Hr	Mounting	: Panel flush
Input over voltage	: Normal AC440V,600V Continuous;1000V 10Sec/Hr	Case material	: ABS plastic / Self-Extinguishing
Communication	: RS485 MODBUS RTU		
Baudrate	: 1200-2400-4800-9600-19200-38400-57600-115200		
Address	: 1~255		

DIMENSION



CONNECTION DIAGRAM



INPUT Voltage and Current

