

■ FEATURES

- Dual analog outputs (Isolated)
- Dual RS 485 MODBUS RTU (Isolated)
- Malfunction Indicator
- Protection to prevent high mA output.
- Display Max. Temperature.
- Switch °C / °F
- 2 or 4 Alarm Setting Function
- Small Size (Depth < 90mm)



MMR - code1 - code2 - code3 - code4 - code5

Code1	Input Signal	Code2	Alarm Function	Code3	Output Signal 1	Code4	Output Signal 2	Code5	Aux. Power
1	PT100Ω -100~400°C / -150~800°F	2	2 Alarm Setting	1	DC 0~10mA	3	Same as output 1	1	AC 110/220V
2	CU10Ω -100~400°C / -150~800°F	4	4 Alarm Setting	2	DC 0~20mA	6	RS-485	2	AC 220V
3	PT500Ω -100~400°C / -150~800°F	0	None	3	DC 4~20mA	8	RS-485 (Dual)	3	DC 22~72V
4	NI1000 -100~400°C / -150~800°F			4	DC 0~5V	0	None	6	AC/DC 85~265V
Y	Other			5	DC 1~5V	Y	Other	Y	Other
				6	DC 0~10V				
				0	None				
				Y	Other				

SPECIFICATIONS

INPUT:

Input Configuration : Three Wires Connection Compatible with Two Wires.

OUTPUT & DISPLAY:

DC Current: 0 – 20 mA DC

Load resistance drive: output drive 10 VDC maximum

Output	Load Resistance
0 – 10 mA :	1000 Ω
0 – 20 mA :	500 Ω
4 – 20 mA :	500 Ω

DC Voltage: 0 – 10 V DC

Load resistance drive: output drive 5 mA maximum

Output	Load Resistance
0 – 5 V :	1 KΩ
1 – 5 V :	1 KΩ
0 – 10 V :	2 KΩ

Output Response Time : ≤ 1 Sec.

Digital Output Load : RS-485 Output, 1200,2400,4800,9600,19200 Baud Rate, User Selectable.

Display Range : 0.56" High Brightness RED LED , 5 Digits, -19999 ~ 99999 Counts , Resolution 0.1°C.or °F

INSTALLATION & PERFORMANCE:

Accuracy : 0.15%FS + 0.3°C at 23°C±3°C.

Setting Function : 4 Alarm Setting Setting Function(Hi or Lo) User Selectable.

Setting Range : ±19999 Counts User Selectable.

Dead Band : 0 ~ 9999 Counts User Selectable.

Time Delay : 0 ~ 999 Sec. User Selectable.

SPDT Capacity : AC 120V 5A, 250V 3A, DC 24V 3A.

Dielectric Strength : 2KV AC / Min Between Input / Power / Case.

Impulse : 5 KV 1.2x50 uS, ANSI C37.90a / 1983.DIN IEC 255 – 4.

Stability : ≤ 0.2%/Year.

Temperature Coefficient : ≤ 60ppm / °C From 0 ~ 60°C ; ≤ 50ppm/25°C ±5°C.

Operating Condition : -10°C ~ +55°C 20 ~ 95% RH Non-Condensed.

Storage Condition : -40°C ~ +75°C 20 ~ 95% RH Non-Condensed.

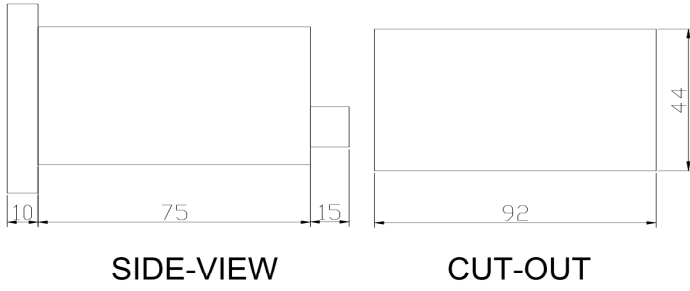
Power Supply : AC or DC ±20%, 50 / 60Hz.

Consumed Power : ≤ 3VA , PF = 1

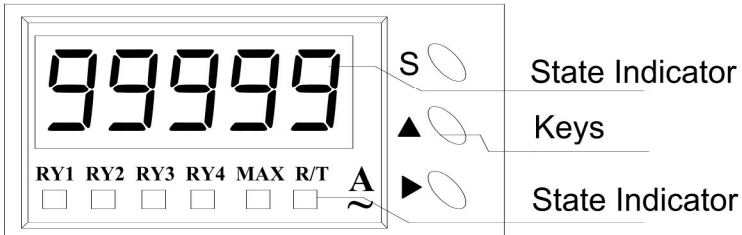
Outline Dimension : 1/8 DIN 96W X 48H X 100D mm.

Mounting : Panel Flush Mounting.

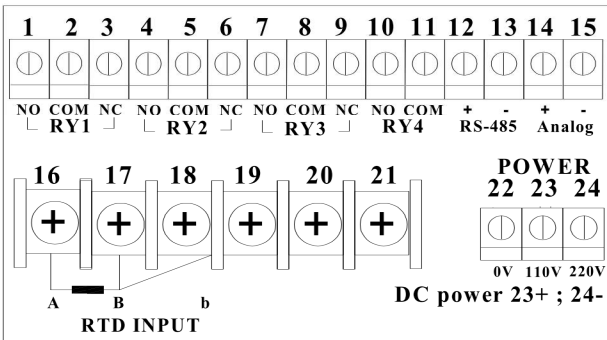
■ Dimension (mm)



■ Panel Keys



■ Connection Diagram



VER1.0 DATE:2011.9